

USA

Vibrator Motors

>> Specifications and Dimensions

E

Motovibradores

>> Especificaciones y Dimensiones

F

Moteurs vibrants

>> Spécifications et dimensions

60 Hz

Explosion proof



Vimarc®

>> Specifications and Dimensions

4 pole vibrator motors (1,750 rpm) | Motores de vibración de 4 polos (1,750 rpm) | moteurs vibrants 4 pôle (1,750 rpm)

Working Moment Torque Couple in-lb	Centrifugal Force Fuerza Centrífuga Force centrifuge Pounds	Horse Power Caballo de Fuerza Cheval-vapeur HP	Power Consumption Potencia Puissance absorbée kW	Nominal Current at 460V Corrente Nominal a 460V Courant nominal à 460V A	Power Factor Factor de Potencia Facteur de puissance cos ø	Starting Current ratio Corrente de Partida Demarrage direct IA/IN	Type	Dimension Sketch Bosquejo Dimension Plan dimensions #	Dimensions Dimensiones Cotes inches											Weight Peso Poids lbs.	
									A	B	C	D	E	F	ø G	H	J	K	M		N
26	1133	0.56	0.42	1.07	0.69	6.8	ADP 30-4	1	15.12	7.56	5.51	6.69	8.35	8.82	0.71	4.41	10.91	0.67	2.40	8.98	95
39	1700	0.56	0.42	1.07	0.69	6.8	ADP 45-4	1	15.12	7.56	5.51	6.69	8.35	8.82	0.71	4.41	10.91	0.67	2.40	8.98	97
52	2264	0.56	0.42	1.07	0.69	6.8	BDP 60-4	1	15.12	7.56	5.51	6.69	8.35	8.82	0.71	4.41	10.91	0.67	2.40	8.98	106
78	3397	0.56	0.42	1.07	0.69	6.8	BDP 90-4	1	16.38	7.56	5.51	6.69	8.35	8.82	0.71	4.41	10.91	0.67	2.40	8.98	115
108	4718	0.56	0.42	1.07	0.69	6.8	BDP 126-4	1	19.53	7.56	5.51	6.69	8.35	8.82	0.71	4.41	10.91	0.67	2.40	8.98	130
130	5661	0.56	0.42	1.07	0.69	6.8	BDP 151-4	1	19.53	7.56	5.51	6.69	8.35	8.82	0.71	4.41	10.91	0.67	2.40	8.98	137
130	5661	1.29	0.96	1.91	0.79	8.3	CDP 150-4	2	18.23	9.84	3.27	9.02	9.92	10.51	0.83	5.59	12.80	0.94	2.76	11.38	207
130	5661	1.29	0.96	1.91	0.79	8.3	CDP 151-4	2	20.20	9.84	3.27	9.02	9.92	10.51	0.83	5.59	12.80	0.94	2.76	11.38	207
174	7551	1.29	0.96	1.91	0.79	8.3	CDP 201-4	2	20.20	9.84	3.27	9.02	9.92	10.51	0.83	5.59	12.80	0.94	2.76	11.38	212
130	5661	2.30	1.70	2.95	0.84	8.5	DDP 151-4	2	20.00	11.22	4.13	9.76	11.69	11.50	0.83	5.94	13.90	1.10	2.76	12.80	267
174	7551	2.30	1.70	2.95	0.84	8.5	DDP 201-4	2	23.15	11.22	4.13	9.76	11.69	11.50	0.83	5.94	13.90	1.10	2.76	12.80	273
260	11325	2.30	1.70	2.95	0.84	8.5	DDP 301-4	2	23.15	11.22	4.13	9.76	11.69	11.50	0.83	5.94	13.90	1.10	2.76	12.80	291
417	18120	4.80	3.60	6.40	0.83	9.1	GDP 480-4	2	30.98	12.60	4.63	11.02	13.46	12.99	1.02	7.05	15.71	1.18	3.31	14.25	562

4 pole vibrator motors (1,750 rpm) | Motores de vibración de 4 polos (1,750 rpm) | moteurs vibrants 4 pôle (1,750 rpm)

in-lb	Pounds	HP	kW	A	cos ø	IA/IN	Type	#	A	B	C	D	E	F	ø G	H	J	K	M	N	lbs.
52	2264	0.56	0.42	1.07	0.69	6.8	BDP 62-4	1	15.12	7.56	4.72	6.69	8.35	8.82	0.67	4.41	10.91	0.67	2.40	8.98	106
108	4718	0.56	0.42	1.07	0.69	6.8	BDP 128-4	1	19.53	7.56	5.51	7.48	8.35	8.98	0.87	4.69	11.18	0.98	2.68	9.25	130
130	5661	1.29	0.96	1.91	0.79	8.3	CDP 154-4	1	20.20	9.84	6.10	8.86	9.92	10.51	0.87	5.59	12.80	0.94	2.76	11.38	207

On request Vimar motors type B and C are available with Italvibras/OLI foot pattern. - Bajo pedido, Vimar tipo de motores B y C están disponibles con el modelo del pie Italvibras/OLI. - Sur demande, les moteurs Vimar types B et C sont disponibles avec les dimensions en pied d'Italvibras/Oli.

6 pole vibrator motors (1,175 rpm) | Motores de vibración de 6 polos (1,175 rpm) | moteurs vibrants 6 pôle (1,175 rpm)

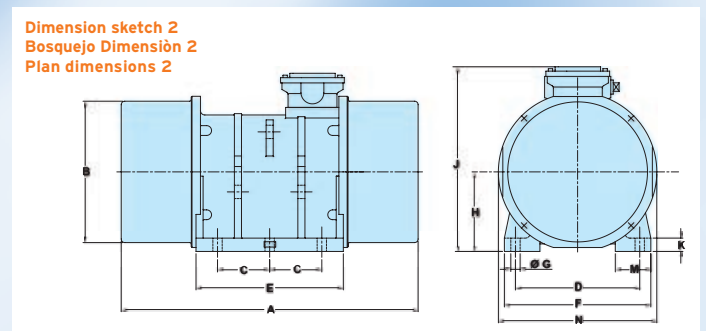
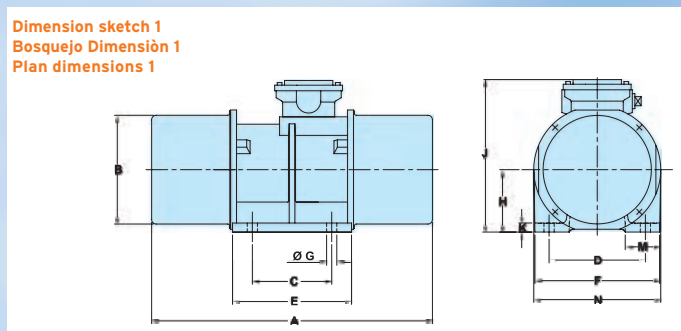
in-lb	Pounds	HP	kW	A	cos ø	IA/IN	Type	#	A	B	C	D	E	F	ø G	H	J	K	M	N	lbs.
39	765	0.62	0.46	1.18	0.78	2.7	ADP 45-6	1	15.12	7.56	5.51	6.69	8.35	8.82	0.71	4.41	10.91	0.67	2.40	8.98	97
52	1021	0.62	0.46	1.18	0.78	2.7	BDP 60-6	1	15.12	7.56	5.51	6.69	8.35	8.82	0.71	4.41	10.91	0.67	2.40	8.98	106
78	1532	0.62	0.46	1.18	0.78	2.7	BDP 90-6	1	16.38	7.56	5.51	6.69	8.35	8.82	0.71	4.41	10.91	0.67	2.40	8.98	115
130	2553	0.62	0.46	1.18	0.78	2.7	BDP 150-6	1	19.53	7.56	5.51	6.69	8.35	8.82	0.71	4.41	10.91	0.67	2.40	8.98	137
174	3404	0.62	0.46	1.18	0.78	2.7	BDP 201-6	1	22.44	7.56	5.51	6.69	8.35	8.82	0.71	4.41	10.91	0.67	2.40	8.98	143
130	2553	0.74	0.55	1.53	0.61	6.8	CDP 150-6	2	18.23	9.84	3.27	9.02	9.92	10.51	0.83	5.59	12.80	0.94	2.76	11.38	209
174	3404	0.74	0.55	1.53	0.61	6.8	CDP 200-6	2	18.23	9.84	3.27	9.02	9.92	10.51	0.83	5.59	12.80	0.94	2.76	11.38	214
260	5106	0.74	0.55	1.53	0.61	6.8	CDP 300-6	2	20.20	9.84	3.27	9.02	9.92	10.51	0.83	5.59	12.80	0.94	2.76	11.38	240
260	5106	0.74	0.55	1.53	0.61	6.8	CDP 301-6	2	20.20	9.84	3.27	9.02	9.92	10.51	0.83	5.59	13.90	0.94	2.76	11.38	240
260	5106	2.30	1.70	3.30	0.78	5.9	DDP 301-6	2	23.15	11.22	4.13	9.76	11.69	11.50	0.83	5.94	13.90	1.10	2.76	12.80	291
434	8510	2.30	1.70	3.30	0.78	5.9	DDP 501-6	2	24.88	11.22	4.13	9.76	11.69	11.50	0.83	5.94	13.90	1.10	2.76	12.80	342
521	10212	2.30	1.70	3.30	0.78	5.9	DDP 600-6	2	24.88	11.22	4.13	9.76	11.69	11.50	0.83	5.94	13.90	1.10	2.76	12.80	366
608	11914	4.00	3.00	5.60	0.75	10.6	FDP 700-6	2	27.52	12.60	4.63	11.02	13.46	12.99	1.02	7.05	15.71	1.18	3.31	14.25	567
694	13616	4.00	3.00	5.60	0.75	10.6	FDP 800-6	2	30.98	12.60	4.63	11.02	13.46	12.99	1.02	7.05	15.71	1.18	3.31	14.25	589
694	13614	5.00	3.70	7.20	0.76	10.7	GDP 800-6	2	30.98	12.60	4.63	11.02	13.46	12.99	1.02	7.05	15.71	1.18	3.31	14.25	613
868	17018	5.00	3.70	7.20	0.76	10.7	GDP 1000-6	2	30.98	12.60	4.63	11.02	13.46	12.99	1.02	7.05	15.71	1.18	3.31	14.25	648

8 pole vibrator motors (855 rpm) | Motores de vibración de 8 polos (855 rpm) | moteurs vibrants 8 pôle (855 rpm)

Working Moment Torque Couple in-lb	Centrifugal Force Fuerza Centrifuga Force centrifuge Pounds	Horse Power Caballo de Fuerza Cheval-vapeur HP	Power Consumption Potència Puissance absorbée kW	Nominal Current at 460V Corrente Nominal a 460V Courant nominal à 460V A	Power Factor Factor de Potència Facteur de puissance cos ϕ	Starting Current ratio Corrente de Partida Demarrage direct IA/IN	Type	Dimension Sketch Bosquejo Dimension Plan dimensions #	Dimensions Dimensiones Cotes inches											Weight Peso Poids lbs.	
									A	B	C	D	E	F	ϕG	H	J	K	M		N
52	540	0.54	0.40	1.32	0.64	9.1	BDP 60-8	1	15.12	7.56	5.51	6.69	8.35	8.82	0.71	4.41	10.91	0.67	2.40	8.98	106
130	1351	0.54	0.40	1.32	0.64	9.1	BDP 150-8	1	19.53	7.56	5.51	6.69	8.35	8.82	0.71	4.41	10.91	0.67	2.40	8.98	137
174	1801	0.54	0.40	1.32	0.64	9.1	BDP 200-8	1	22.44	7.56	5.51	6.69	8.35	8.82	0.71	4.41	10.91	0.67	2.40	8.98	143
260	2703	1.30	1.00	2.55	0.71	3.9	CDP 300-8	2	20.20	9.84	3.27	9.02	9.92	10.51	0.83	5.59	12.80	0.94	2.76	11.38	247
434	4506	2.00	1.50	3.40	0.78	4.5	DDP 501-8	2	24.88	11.22	4.13	9.76	11.69	11.50	0.83	5.94	13.90	1.10	2.76	12.80	348
521	5406	2.00	1.50	3.40	0.78	4.5	DDP 600-8	2	24.88	11.22	4.13	9.76	11.69	11.50	0.83	5.94	13.90	1.10	2.76	12.80	373
694	7208	4.00	3.00	5.50	0.81	9.2	FDP 800-8	2	30.98	12.60	4.63	11.02	13.46	12.99	1.02	7.05	15.71	1.18	3.31	14.25	589
868	9010	4.00	3.00	5.50	0.81	9.2	FDP 1000-8	2	30.98	12.60	4.63	11.02	13.46	12.99	1.02	7.05	15.71	1.18	3.31	14.25	606
1128	11715	5.00	3.70	7.80	0.72	7.9	GDP 1300-8	2	34.02	12.60	4.63	11.02	13.46	12.99	1.02	7.05	15.71	1.18	3.31	14.25	686
1302	13517	5.00	3.70	7.80	0.72	7.9	GDP 1500-8	2	36.54	12.60	4.63	11.02	13.46	12.99	1.02	7.05	15.71	1.18	3.31	14.25	785

*Working Moment = 2 x Static Moment; Momento de trabajo = 2 x momento estático; couple de travail = 2 x moment statique

** 1 N = 0.224809 lbs; 1 Pound = 4.44822 N



Standard design

- 265/460 V, 60 Hz
- Protection class IP 66 to DIN 40050
- Insulation class F
- Tropicalized
- Paint finish: 2K-PU RAL
- Stainless steel end covers fitted to all motors up to type FDP 700 (remaining types on request).
- Lubrication: FAG Arcanol VIB3
- 3/4 NPT thread for cable gland

Following options on request

- Alternative voltages

Installation, operating and re-lubrication

Please use our Installation, Operation and Maintenance Manual.

The Motors are delivered without a cable gland.

Exd cable gland are available at Vimar Inc.

Diseño estándar

- 265/460 V, 60 Hz
- Clase de protección IP 66 según DIN 40050
- Aislamiento clase F
- Tropicalizado
- Acabado de Pintura: 2K-PU RAL
- Fin de acero inoxidable cubiertas disponible para todo los motores Hasta el tipo FDP 700 (restantes tipos bajo demanda).
- Lubricación: FAG Arcanol VIB3
- 3/4 NPT para la entrada de cables

Siguientes opciones bajo pedido

- Voltajes Alternas

Instalación, Operación y Re-Lubricación

Utilice nuestro libro de instalación, servicio y mantenimiento.

Los motores se entregan sin pasacables.

Pasacables Exd están disponibles en Vimar Inc.

Design standard

- 265/460 V, 60 Hz
- Protection classe IP 66 selon DIN 40050
- Isolation classe F
- Apte aux tropiques
- Peinture : 2K-PU RAL
- Capots inox pour tous les moteurs jusqu'au type FDP 700 (autres types sur demande).
- Lubrification : FAG Arcanol VIB3
- Filetage 3/4 NPT pour presse-étoupe

Options suivantes sur demande

- Voltages alternatifs

Installation, opération et ré-graissage

Veillez vous référer à notre Guide de Montage, Opération et Maintenance.

Les moteurs sont livrés sans presse-étoupe.

Exd presse-étoupe sont disponibles chez Vimar Inc.



Certificate: OM5A8.AE
Class I, Division 1, Groups C and D
Class II, Division 1, Groups E, F and G
Temperature class: T4 (275 °F)



Regulation CAN/CSA
File no LR55503
Class I, Groups C and D;
Class II, Groups E, F and G
Temperature class: T4 (275 °F)

For ambient temperature 104 °F and 122 °F

Para temperatura ambiente 104 °F y 122 °F

Pour températures ambiantes de 104 °F et 122 °F

Vimar Inc.

12256 Cutten Road
Houston, TX 77066 · USA
Phone: +1 (281) 440-0028
Fax: +1 (281) 537-2371
info@vimarcusa.com
www.vimarcusa.com

Vimar® Motor assembled by Vimar Inc., USA